

LED SHOEBOX LIGHT



FEATURES:

- 2019 Private mold, unique design
- AC120-277V/AC120-347V/AC277-480V optional
- Seoul SMD LED
- High efficacy, 145lm/w
- Die-casting aluminum housing, treated by anodic oxidation, anti-corrosion
- Hollow heat sink design increase more airflow for better heat dissipation
- IP66 rated, IK10, Surge protection 10KV/20KV optional
- Photocell, Microwave, PIR sensor available
- Slip Filter, Square pole, Round pole, Trunnion, Wall mount adaptor.
- Environment temperature: -40°C~45°C
- 5 years warranty

APPLICATION

- Parking lot
- Stadiums
- General road lighting
- Residential area
- Yard park
- Petrol station

MOUNTING BRACKET OPTIONS



Type A
Slip Fitter



Type B
Slip Fitter+Extruded Arm



Type C
Extruded Arm



Type D
Surface Mount Arm

Lens
Type III, Type V,
90° optional

Two holes in middle
Better for heat sink; Water
can drain in the rainy days

Label
Laser nameplate, will
not be destroyed even
bad weather

Microwave sensor
Installed at the middle
of the front side

Photocell (Edge)
Can be used for AC120-277V only
Non-removable

LED driver
bare board, good heat radiation
Separated driver design and easy
to open and wiring

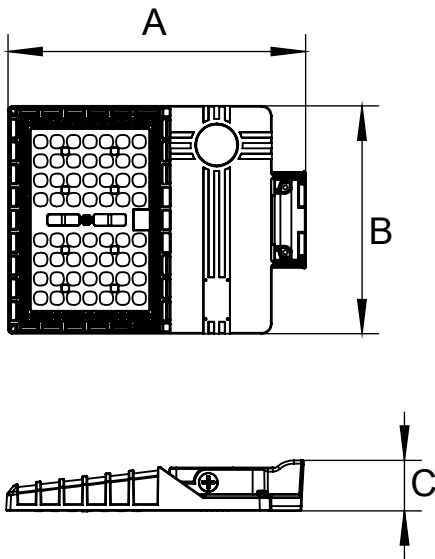
Photocell (top)
Can be used for AC120-277V/
AC120-347V/AC277-480V

Installation Arm
Type A, Type B, Type
C, Type D optional

Parameters

DLC Model No	Size	Power	Efficacy	Lumen	Input voltage	Lens	CRI	CCT
AL100W-XXK-YYY-ZR	13.92"*10.65"	100W	145LM/W	14500LM	AC120-277V	Type III Type V 90°	>70	5000K
AL150W-XXK-YYY-ZR		150W		21750LM				
AL200W-XXK-YYY-ZR	16.54''*12.3''	200W		29000LM	AC120-347V			
AL320W-XXK-YYY-ZR	20.49"*12.62"	320W		46400LM				
ALHV100W-XXK-YYY-ZR	13.92"*10.65"	100W	145LM/W	14500LM	AC277-480V	Type III Type V 90°	>70	5000K
ALHV150W-XXK-YYY-ZR		150W		21750LM				
ALHV200W-XXK-YYY-ZR	16.54''*12.3''	200W		29000LM				
ALHV320W-XXK-YYY-ZR	20.49"*12.62"	320W		46400LM				

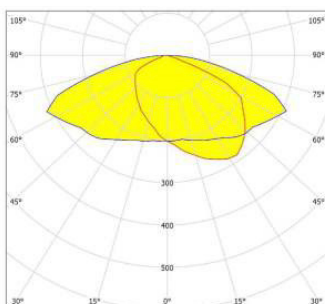
Dimension



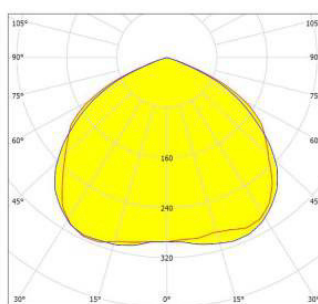
Power / Size	A	B	C
80W/ 100W/ 150W	13.92"	10.65"	2.36"
200W	16.54"	12.6"	2.46"
250W/ 320W	20.49"	12.6"	2.46"

Photometric

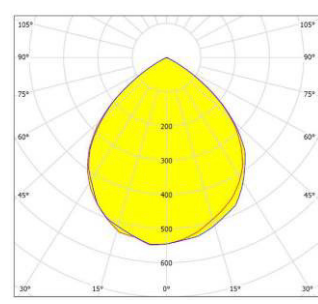
Type III



Type V



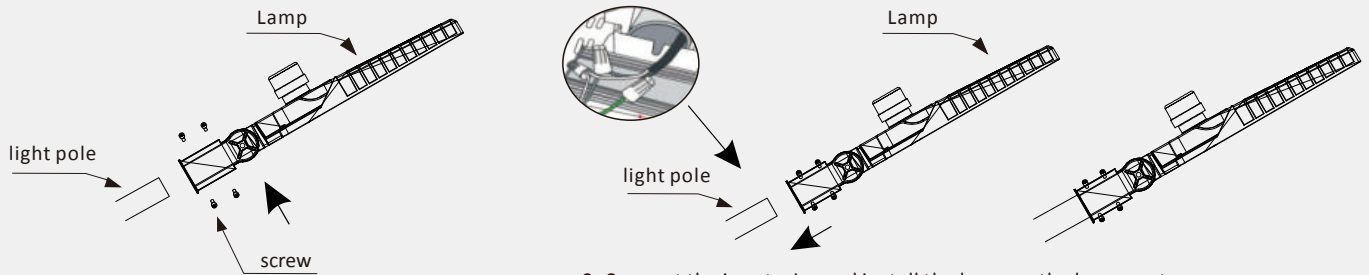
90°



Installation

ALWAYS TURN OFF THE POWER SUPPLY FROM MAIN CIRCUIT BREAKER FIRST!

Type A (Slip Fitter)

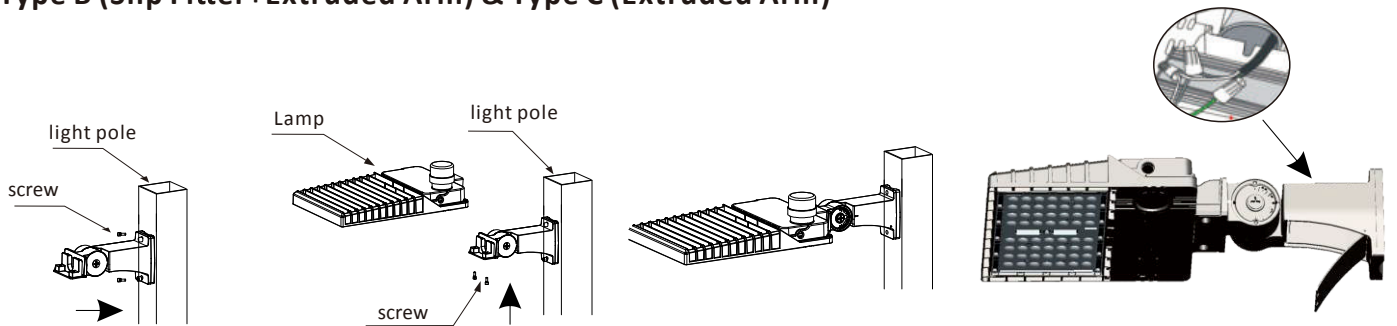


1. Attach the lamp arm to the lamp post

2. Connect the input wire and install the lamp on the lamp post

Note: after lengthening the input wire, meet the height requirement of the light pole and connect the wire at the bottom of the light pole.

Type B (Slip Fitter+Extruded Arm) & Type C (Extruded Arm)

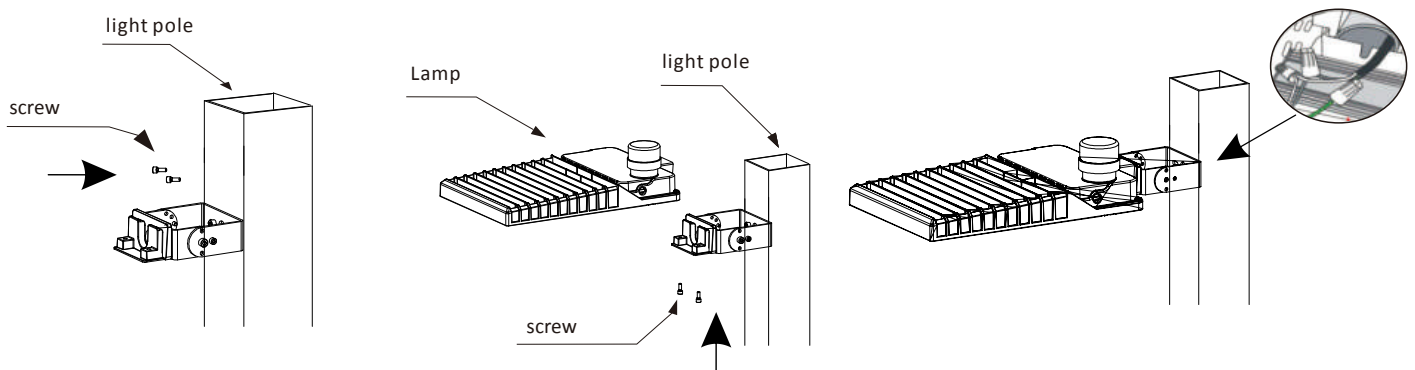


1. First install the lamp arm in the proper position of the lamp pole

2. Install the light fixture on the lamp arm

3. Lower cover of the lamp arm is opened and Complete wiring at handhole on pole. Use suitable Listed water proof cord bushing and outlet box cover.

Type D (Surface Mount Arm)



1. First install the lamp arm in the proper position of the lamp pole

2. Install the light fixture on the lamp arm

3. Lower cover of the lamp arm is opened and Complete wiring at handhole on pole. Use suitable Listed water proof cord bushing and outlet box cover.

Package Info.

Model	Carton Dimension	Qty / Carton	N.W	G.W	20GP	40HQ
100W	16.02''*12.48''*4.8''	1PCS	11.68lbs	13.49lbs	1528PCS	4203PCS
150W						
200W	18.58''*14.25*5.39''	1PCS	15.43lbs	17.20lbs	1025pcs	2820pcs
320W	22.52''*14.25''*5.39''	1PCS	20.26lbs	22.51lbs	848PCS	2332PCS

Installation Arm	Carton Dimension	Qty / Carton
Slip Fitter	24.53''*16.77''*8.7''	12PCS
Slip Fitter+Extruded Arm	24.53''*19.96''*10.83''	12PCS
Extruded Arm	21.77''*19.96''*10.83''	12PCS
Surface Mount Arm	22.32''*20.16''*6.5''	12PCS



Safety Precaution

To reduce the risk of death, personal injury or property damage from fire, electric shock, falling parts, cuts/abrasions, and other hazards read all warnings and instructions included with and on the fixture box and all fixture labels.

Before installing, servicing, or performing routine maintenance upon this equipment, follow these general precautions.

Commercial installation, service and maintenance of luminaires should be performed by a qualified licensed electrician.

For The installation: If you are unsure about the installation or maintenance of the luminaires, consult a qualified licensed electrician and check your local electrical code.

To prevent wiring damage or abrasion, do not expose wiring to edges of sheet metal or other sharp objects.

Do not make or alter any open holes in an enclosure of wiring or electrical components during kit installation.

WARNING: RISK OF FIRE OR ELECTRICAL SHOCK

Turn off electrical power at fuse or circuit breaker box before wiring fixture to the power supply.

Turn off the power when you perform any maintenance.

Verify that supply voltage is correct by comparing it with the luminaire label information.

Make all electrical and grounded connections in accordance with the National Electrical Code and any applicable local code requirements.

All wiring connections should be capped with UL approved wire connectors.

CAUTION: RISK OF INJURY

Avoid direct eye exposure to the light source while it is on.

Account for small parts and destroy packing material, as these may be hazardous to children.

SUITABLE FOR DRY OR DAMP LOCATION